

8DI DIGITAL INPUT MODULE



Description

The 8DI Digital Input Module is an addressable field unit for use with the Blue River Controls Ltd **S90C** controller

The unit provides 8 inputs on a system where field units are connected together on a 2 wire communications bus.

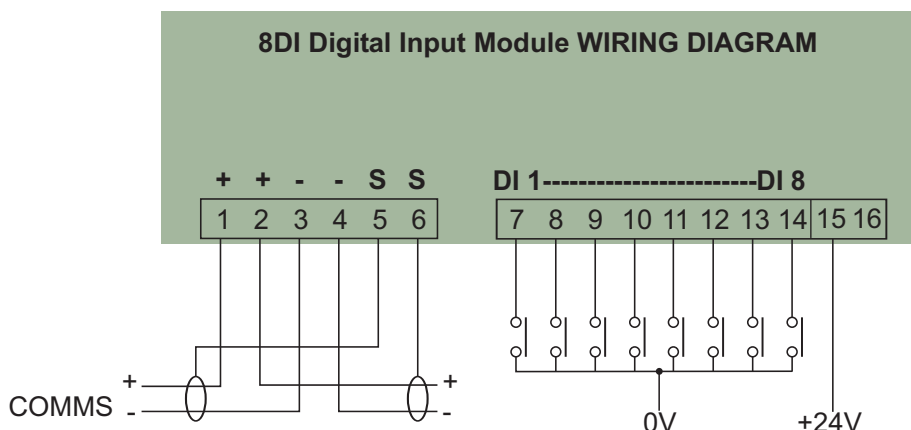
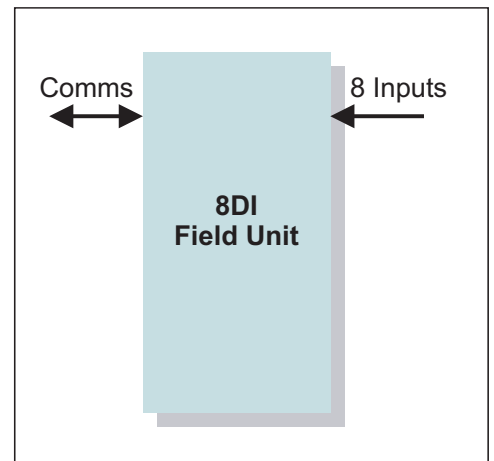
Up to 100 8DI Modules can be connected on an **S90** loop or mixed with other types of **S90** units

When building a system, the total current must be calculated to ensure correct operation based on the type and length of installed cable
(See separate leaflet for current calculation)

Technical Data

Inputs	8 off 24V DC 10mA requiring external power supply
Power Supply	24V DC - 80mA to drive inputs
Loop Current	1.5 mA
Dimensions	W 104mm - L 62mm - H 50mm
Indication	LED's are provided as follows :- 8 LED's - Input status 1 LED - Comms activity
Addressing	An 8 way DIL switch is provided for setting an address in the range 1 to 100

Schematic Diagram



Notes :-

- Terminals 15 & 16 are linked together on the unit
- Terminals 1 & 2 are linked
- Terminals 3 & 4 are linked
- Terminals 5 & 6 are linked and provide a through connection for the comms cable screen but are not earthed to the unit