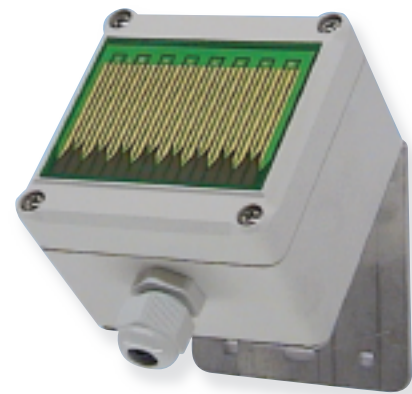
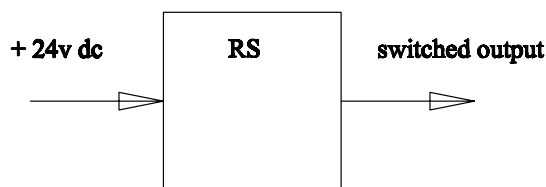


RS Rain Sensor

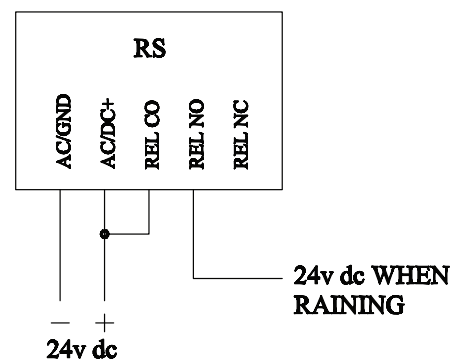
This sensor switches a 24v dc signal when rain, snow or hail falls onto the sensing element. A heating element is incorporated to prevent freezing or prolonged wetting to ensure the unit switches off when it stops raining.



SCHEMATIC



WIRING DIAGRAM



Technical Data

Output	Volt free changeover contact rated 4A at 30v dc
Measurement principle	Electrolytic AC measurement
Power requirements	24v dc +/- 10% 8mA (no rain) 120mA (rain)
Electrical Connection	Screw terminals via compression cable gland
Working environment	-20 to +70°C
Storage environment	-20 to +70°C
Connections	See wiring diagram above
Protection class	IP65
Colour of housing	Grey
Green LED	Indicates power on
Red LED	Indicates relay energised
Dimensions	80mm (w) x 82mm (h) x 58mm (d)
Location	Outside where no restrictions for rainfall
Mounting	Grid to be at 30 degrees with points of the sensor pointing down. Mounting bracket available.

September 2012